

## 3 Way High Pressure Stainless Steel AISI 316 Ball Valves Available with 'L' or 'T' Ported Options

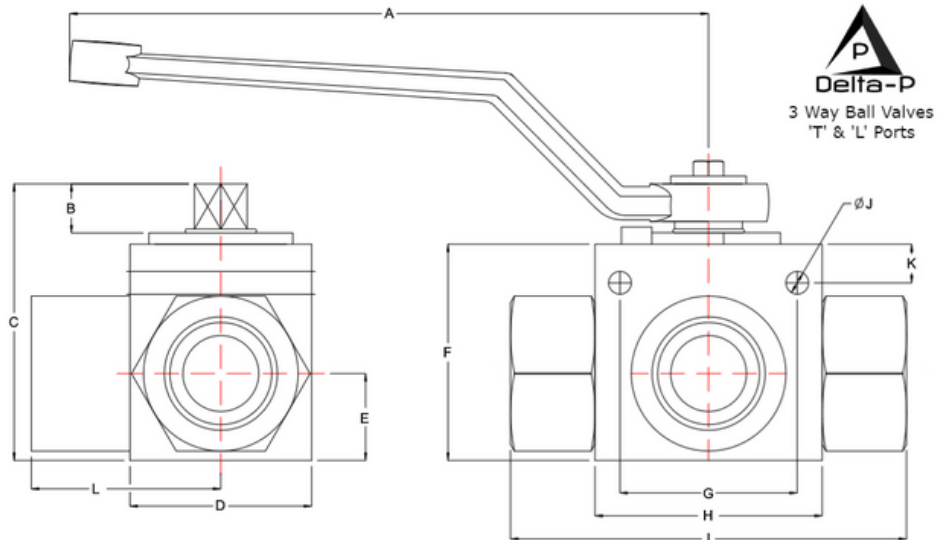
For use in the marine, offshore and pharmaceutical industries.

### Specifications:

- Sizes: 1/4" to 3/4"
- Material: Body- AISI 316 Stainless Steel, Handle- Forged Steel
- Operating Temperature: -20°C to 200°C
- Sealing: Viton, POM
- Working Pressure: 315 to 350 Bar
- Threads: BSP

### Features:

- Minimal pressure drop
- 1/4 turn to open and close
- Mounting holes as standard



Product Code	Ball Port	Thread Size (BSP)	A	B	C	D	E	F	G	H	I	ØJ	K	L	Working Pressure (bar)
SBV3-G1/4"-06 SBV3T-G1/4"-06	L' Ported T' Ported	1/4"	143.00	8.50	44.30	28.20	13.15	32.20	26.20	37.00	68.90	4.60	5.50	49.10	500
SBV3-G3/8"-10 SBV3T-G3/8"-10	L' Ported T' Ported	3/8"	144.30	8.50	52.20	31.80	17.50	40.20	33.00	42.10	72.00	6.50	5.50	51.90	500
SBV3-G1/2"-13 SBV3T-G1/2"-13	L' Ported T' Ported	1/2"	150.00	8.50	52.60	35.00	18.30	40.20	37.10	48.10	83.00	6.50	5.60	57.60	500
SBV3-G3/4"-20 SBV3T-G3/4"-20	L' Ported T' Ported	3/4"	170.00	14.00	74.10	47.80	24.70	57.30	45.10	60.20	95.20	6.50	6.70	72.80	315

3 Way Ball Valves  
Port Options

