

2 Way High Pressure Ball Valves

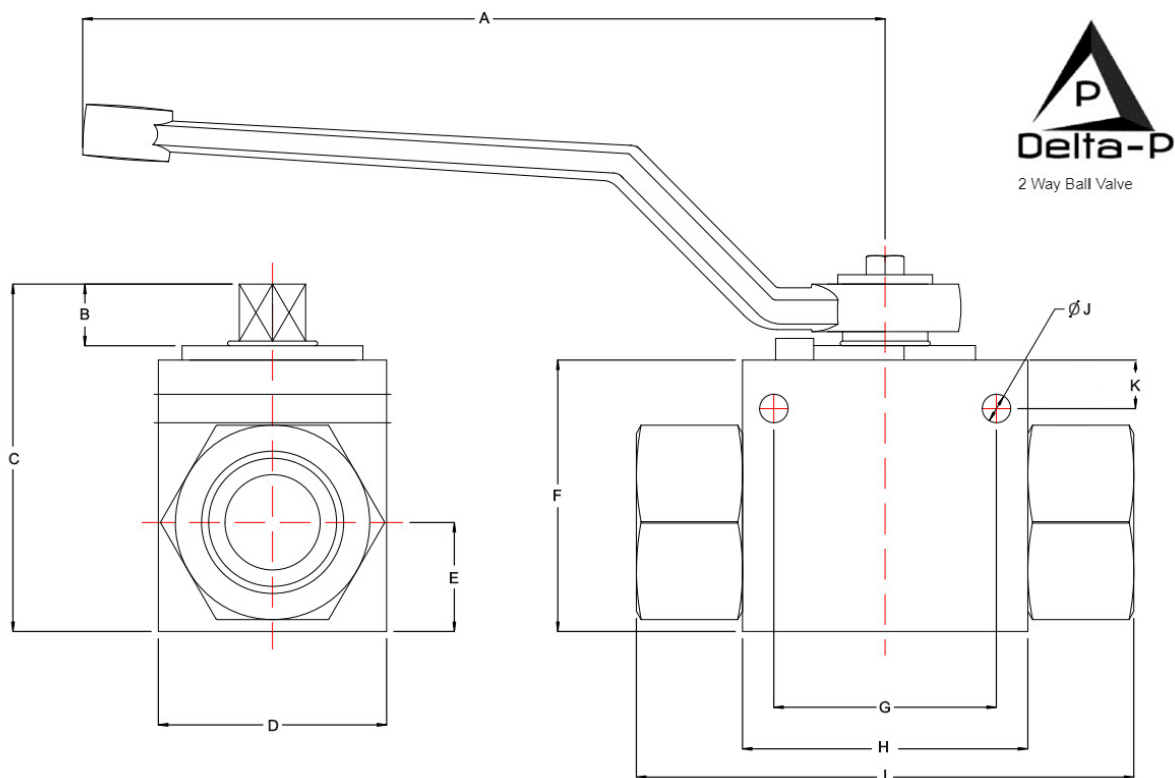
Designed for use in general industrial and mobile hydraulic systems, machine tools and test equipment

Specifications:

- Sizes: 1/4" to 1"
- Material: Carbon steel
- Sealing: NBR, POM
- Working pressure: 500 Bar
- Threads: BSP
- Operating Temperature: -40°C to 100°C

Features:

- Minimal pressure drop
- 1/4 turn to open and close



Product Code	Thread Size (BSP)	A	B	C	D	E	F	G	H	I	ØJ	K	Working Pressure (bar)	Weight (Kg)
BV02-1/4-06	1/4	142.20	8.50	44.30	28.20	12.70	32.30	26.10	37.00	68.80	4.50	5.00	500	0.380
BV02-3/8-10	3/8	143.80	8.50	52.00	32.20	17.00	40.20	32.50	42.20	72.00	6.70	5.00	500	0.536
BV02-1/2-13	1/2	150.00	8.50	32.00	35.30	18.00	40.20	37.70	48.20	86.00	6.50	5.70	500	0.367
BV02-3/4-20	3/4	215.00	14.00	81.90	48.40	29.00	57.00	45.50	60.00	95.00	6.50	6.80	500	1.500
BV2-1-25	1	226.00	14.00	81.90	57.10	29.00	64.30	54.50	65.20	112.75	6.80	6.50	500	2.180