

2 Way High Pressure Stainless Steel AISI 316 Ball Valves

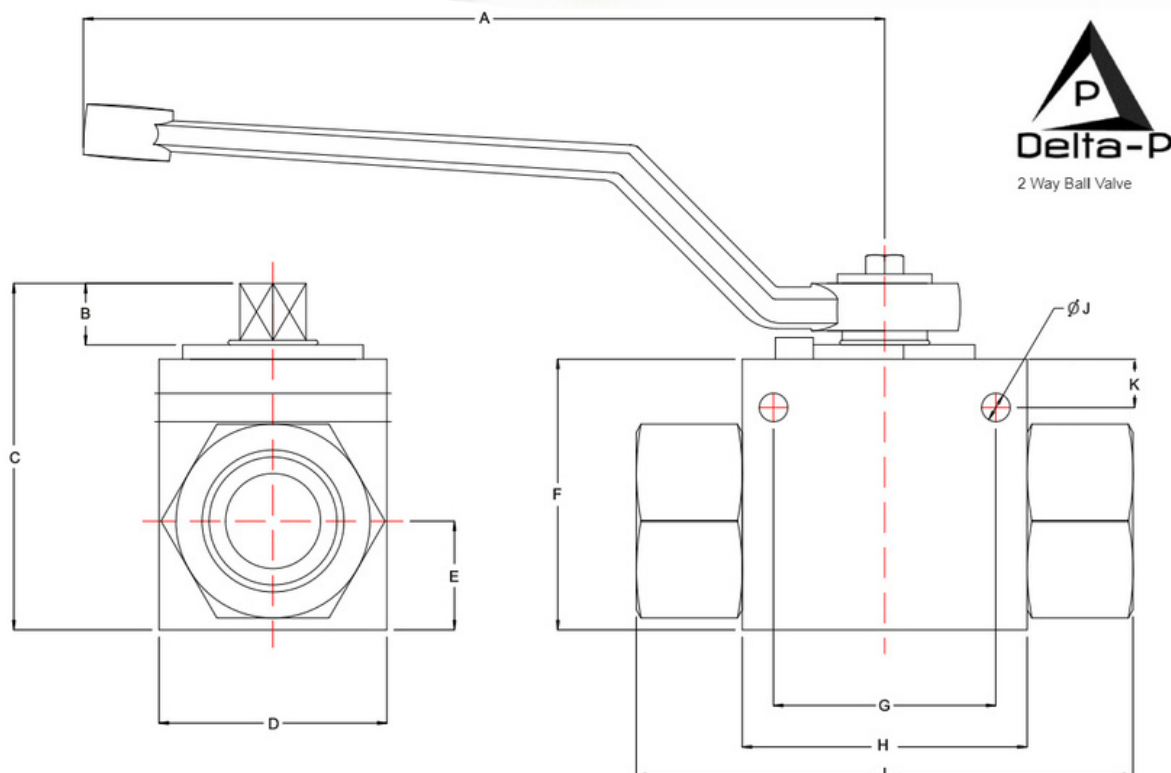
For use in the marine, offshore and pharmaceutical industries.

Specifications:

- Sizes: 1/4" to 3/4"
- Material: Body- AISI 316 Stainless Steel, Handle- Forged Steel
- Operating Temperature: -20°C to 200°C
- Sealing: Viton, POM
- Working Pressure: 315 to 350 Bar
- Threads: BSP

Features:

- Minimal pressure drop
- 1/4 turn to open and close
- Mounting holes as standard



Part Number	Thread Size (BSP)	A	B	C	D	E	F	G	H	I	ØJ	K	Working Pressure (bar)
SBV02-G1/4-06	1/4"	142.20	8.50	44.30	28.20	12.70	32.30	26.10	37.00	68.80	4.50	5.00	500
SBV02-G3/8-10	3/8"	143.80	8.50	52.00	32.20	17.00	40.20	32.50	42.20	72.00	6.70	5.00	500
SBV02-G1/2-13	1/2"	150.00	8.50	52.00	35.30	18.00	40.20	37.70	48.20	86.00	6.50	5.70	500
SBV02-G3/4-20	3/4"	215.00	14.00	75.20	48.40	29.00	57.00	45.50	60.00	95.00	6.80	6.80	315